



**3D RENDERING**

**ANIMATIONS & SIMULATION**



**SPECIALISTS IN  
MOTION GRAPHICS & ANIMATION WE MEET THE  
VISUAL RENDERING & 3D MODELLING NEEDS OF COMPANIES ACROSS INDUSTRIES.**

# 3D PRODUCT RENDERING

IMPRESS INVESTORS OR PROSPECTIVE

BUYERS WITH PHOTO-REALISTIC 3D RENDERING

DEMONSTRATE PRODUCT **USES & BENEFITS**

GATHER FEEDBACK FROM PROSPECTIVE CUSTOMERS

ELIMINATE POTENTIALLY COSTLY DESIGN **ERRORS**

**MAKE IMPROVEMENTS** TO YOUR END PRODUCT

PRODUCTS CAN BE MADE TO LOOK **LIFE-LIKE**

LONG BEFORE THEY ARE LAUNCHED.

THEY CAN BE PRESENTED IN AN INFINITE NUMBER OF

ANGLES WITH PERFECT ACCURACY, DOWN TO THE

TEXTURE AND REFLECTIVENESS OF A SURFACE



VR CHAIR

**USED FOR**

**SMARTPHONES & ELECTRONICS, HANDHELD TOOLS AND UTENSILS, SPORTING & LIFESTYLE ACCESSORIES**

# ENGINEERING SIMULATION

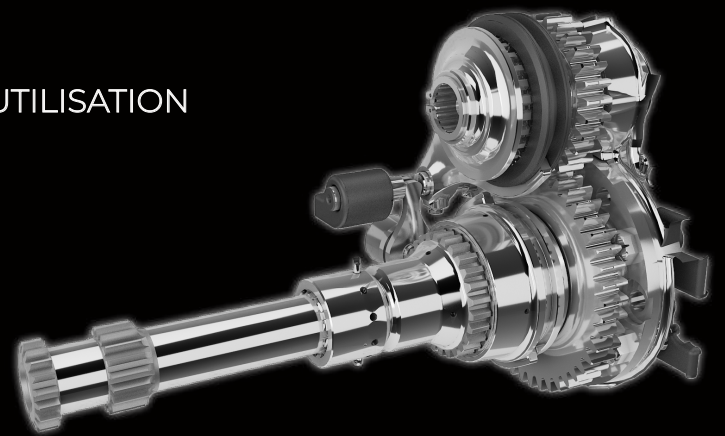


OFFER INSIGHTS INTO MACHINERY FUNCTIONALITY AND PERFORMANCE

IMPLEMENT SUGGESTIONS FROM POTENTIAL BUYERS AND MACHINE OPERATORS

SIMULATE PROCESSES & REFINE PRODUCTION

IMPROVE SET - UP TIMES & DOWN - TIMES, INCREASE UTILISATION



USED IN OIL & GAS, AEROSPACE, AUTOMOTIVE & HEAVY MANUFACTURING



# ARCHITECTURAL & STRUCTURAL VISUALISATION

REAL ESTATE DEVELOPMENTS - EXCAVATION SET-UPS - POWER STATIONS - MANUFACTURING PLANTS

BREAK DOWN KEY STAGES IN DEVELOPMENT TIMELINES

VIEWERS CAN CLEARLY COMPREHEND HOW VARIOUS RESOURCES

AND MOVING PARTS ARE INVOLVED IN CREATING A DESIRED OUTCOME

**WE WORK WITH ARCHITECTS TO UNDERSTAND THEIR IDEAS AND DESIGN OBJECTIVES,  
RECREATING THEIR DESIGNS AS VIABLE 3D RENDERINGS AND WALKTHROUGH ANIMATIONS.**

# VIRTUAL TOURS, MANUALS & WALKTHROUGHS

WE CREATE HIGHLY DETAILED VIRTUAL TOURS AND ANIMATED  
WALKTHROUGHS **BASED ON ACTUAL DESIGNS, SURVEYS AND BLUEPRINTS.**

VIEWERS EXPERIENCE TRAVELLING THROUGH  
A PROJECT OR DEVELOPMENT  
AS IT PROGRESSES OR AFTER COMPLETION..

MARKETERS, INVESTORS AND PROSPECTIVE  
EMPLOYEES OR GUESTS ARE GIVEN A NEAR  
**TRUE-LIFE DEPICTION** OF ANY SCENARIO

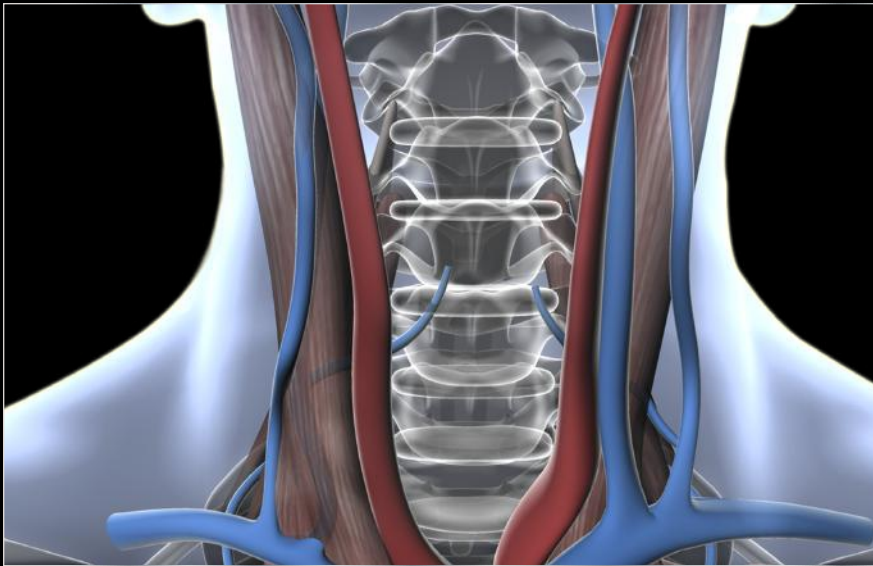
REALISTIC LIQUIDS, GLASSES AND MOVING  
PARTS ADD VALUE TO VISUALS.



**USED IN LARGE INDUSTRIAL PROJECTS, FOOD & BEVERAGE OUTLETS,  
INSTRUCTION or ASSEMBLY MANUALS, HEALTH AND SAFETY MANUALS.**

# MEDICAL SIMULATIONS

IN CONJUNCTION WITH WHOLE - BODY MANNEQUINS AND SKILLS TRAINERS,  
**SIMULATED MEDICAL SCENARIOS** ARE USED TO **BUILD COMPETENCY** IN CLINICAL SKILLS,  
DIAGNOSTIC SKILLS AND EMERGENCY PROCEDURES



REDUCE THE OCCURRENCE OF MEDICAL ERRORS,

BUILD TEAM COMMUNICATION,

IMPROVE MANAGEMENT OF CRISIS SCENARIOS.

DEPICT DETAILED ANATOMY.

& VISUALISE COMPLEX HUMAN BIOLOGY

**USED IN TRAINING & EDUCATION OF**

**DOCTORS, NURSES, PARAMEDICS, AND STUDENTS OF ALL MEDICAL SCIENCES**

# DIGITAL INTERMEDIATE

DI

DI IS A PROCESS THROUGH WHICH WE ENHANCE COLOURS  
IN FILM AND VIDEO TO ACHIEVE A RICHER, MORE AESTHETICALLY SATISFYING VISUAL.

MAKE THE FILM YOU SHOT THE WAY YOU ACTUALLY ENVISIONED IT.

WHETHER YOU'RE SHOOTING IN FILM OR DIGITAL, OUR EXPERIENCED COLOURISTS  
CAN HELP YOU MAKE THE MOST OF YOUR FOOTAGE

OUR AIM IS TO PROVIDE CLIENTS WITH UNPARALLELED,  
HASSLE-FREE POST - PRODUCTION SERVICES INCLUDING :

**COLOR GRADING**

**RESTORATION**

**FINISHING**

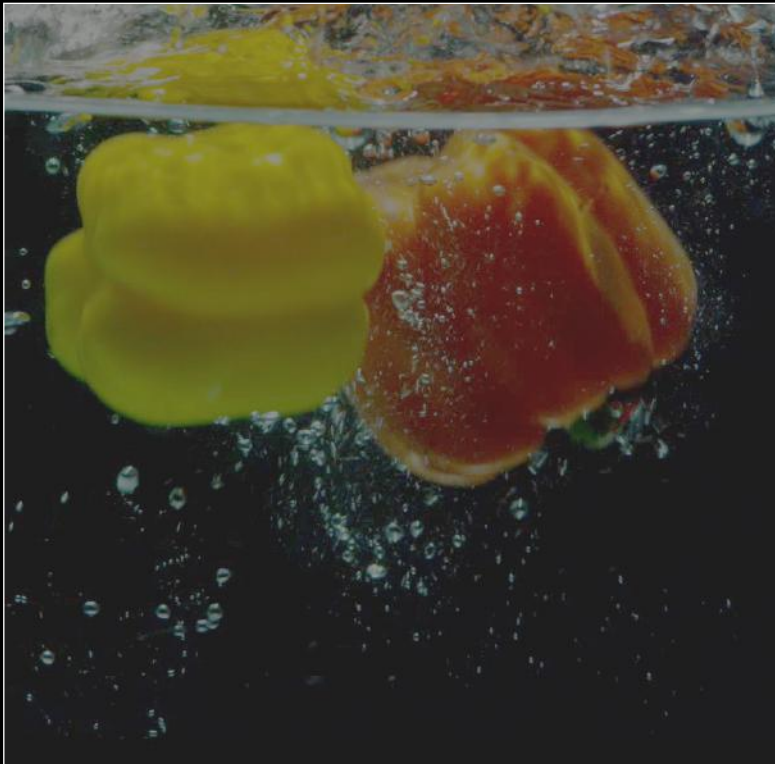
MOVIES, SHORT-FILMS, COMMERCIALS AND MUSIC VIDEOS ALL BENEFIT FROM  
OUR DI SKILLS & SERVICES. WE'VE WORKED ON PROJECTS TO ENSURE YOU ACHIEVE  
THE DESIRED RESULTS BY CONSULTING ONE OF OUR COLOURISTS BEFORE SHOOTING

WE MATCH INDUSTRY BEST STANDARDS OF COLOUR CORRECTION & GRADING SERVICES,

**WORKING IN FULL RED, 4K, ULTRA-HD, 2K and HD RESOLUTIONS**

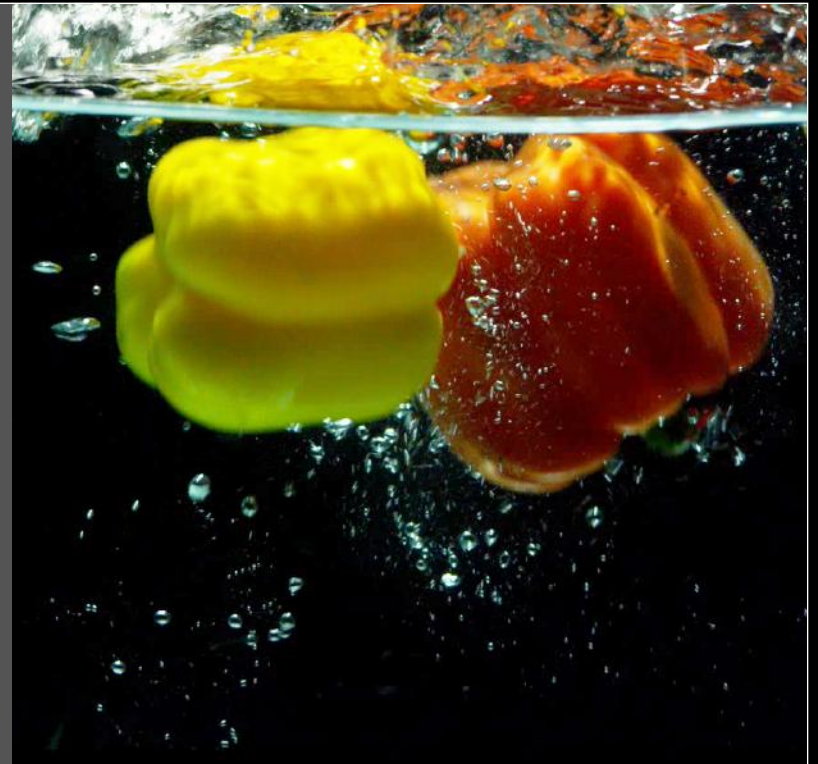


# DI SERVICES



BEFORE

DIGITAL INTERMEDIATE



AFTER

# VISUAL EFFECTS

VFX

WITH **OVER A DECADE OF EXPERIENCE** WORKING WITH THE FILM-MEDIA SECTOR,  
OUR **VFX EXPERTS** PROVIDE THE **INDUSTRY'S BEST INTEGRATION OF CGI.**



BEFORE



AFTER

**WE CAN ADVISE ON VFX NEEDS BEFORE, DURING AND POST - PRODUCTION.**

# OUR CLIENTS



FLSMIDTH

AMADA

alfaTKG

Indegene

TAFE



POS-HYUNDAI  
STEEL MANUFACTURING (I) PVT LTD

RX PRISM  
Impact Your Brand Perception

ACT  
Concrete Solution Providers

P STLOR®  
Quality. Meaningful Brand

LITTLE THINGS  
ASIA

RK ADVERTISING INDIA PVT LTD™

4 YOU

Airlock

# FOR GENERAL ENQUIRIES, SALES & QUOTATIONS



## **XYZEE Axis Creative Private Limited**

Bharani Studios,

57, Arcot Road,

Saligramam, Chennai 600093.

044 - 43072667 - +91 9962042841



## **XYZEE Axis Creative Private Limited**

Unit 4 & 5,

1st Floor, Main Building Ravens' Ait

Portsmouth Road, Kingston, London KT6 4HN.

+44 (0) 20 8339 6960    +44 (0) 78 33 22 88 93



## **XYZEE Axis Creative Private Limited**

#1203, Burj Vista Tower 1

Sheikh Mohammed bin Rashid Blvd

Downtown Dubai, United Arab Emirates.

+971507280709

web : [www.xyzeearaxis.com](http://www.xyzeearaxis.com)    email : [info@xyzeearaxis.com](mailto:info@xyzeearaxis.com)